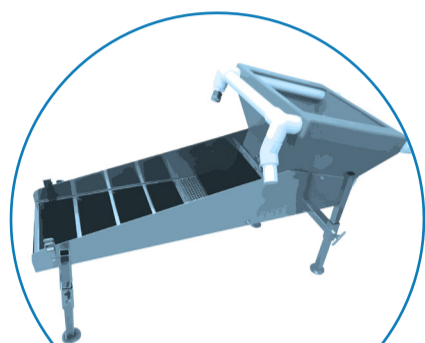


Fossicking

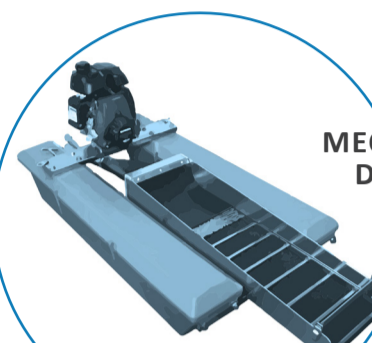
What fossicking equipment is not permitted?

NSW
Resources
Regulator

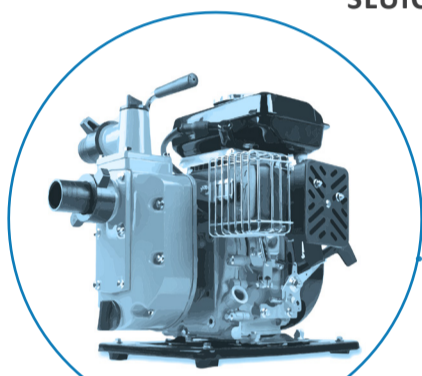
MOBILE PLANT*



'Highbanker' SLUICES**

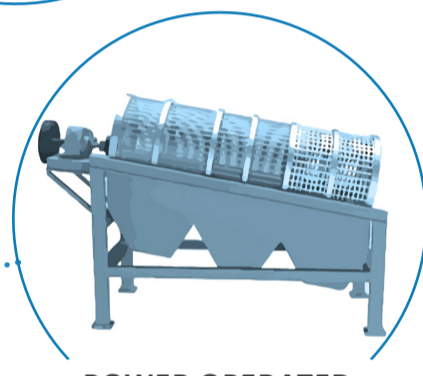


MECHANISED DREDGES



WATER PUMPS

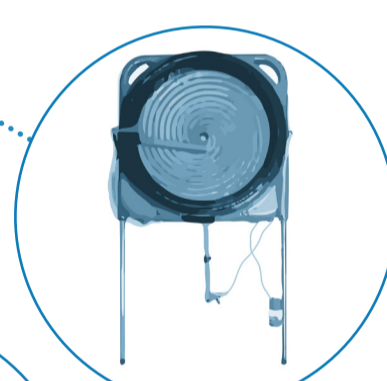
**POWERED
EQUIPMENT
NOT
PERMITTED**



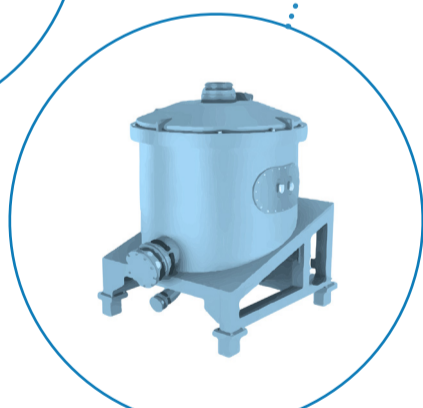
POWER OPERATED TROMMELS



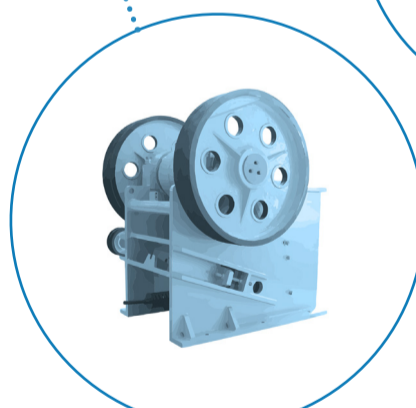
JACK HAMMERS



POWERED GOLD WHEELS



CONCENTRATORS



ALLUVIAL MINING PLANT

NOTE: THIS IS NOT AN EXHAUSTIVE LIST OF ALL PROHIBITED EQUIPMENT

* Mobile plant (backhoes, dozers, excavators).

** 'Highbanker' sluices, when used with powered water pumps.



TO REPORT ILLEGAL FOSSICKING CALL

1300 814 609

resourcesregulator.nsw.gov.au

Fossicking

What fossicking equipment is permitted?

NSW
Resources
Regulator



TO REPORT ILLEGAL FOSSICKING CALL
1300 814 609
resourcesregulator.nsw.gov.au